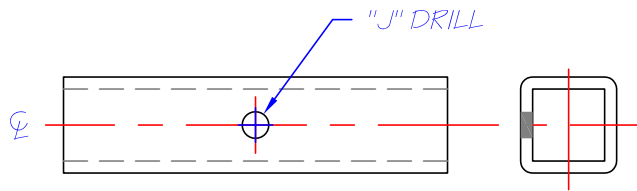
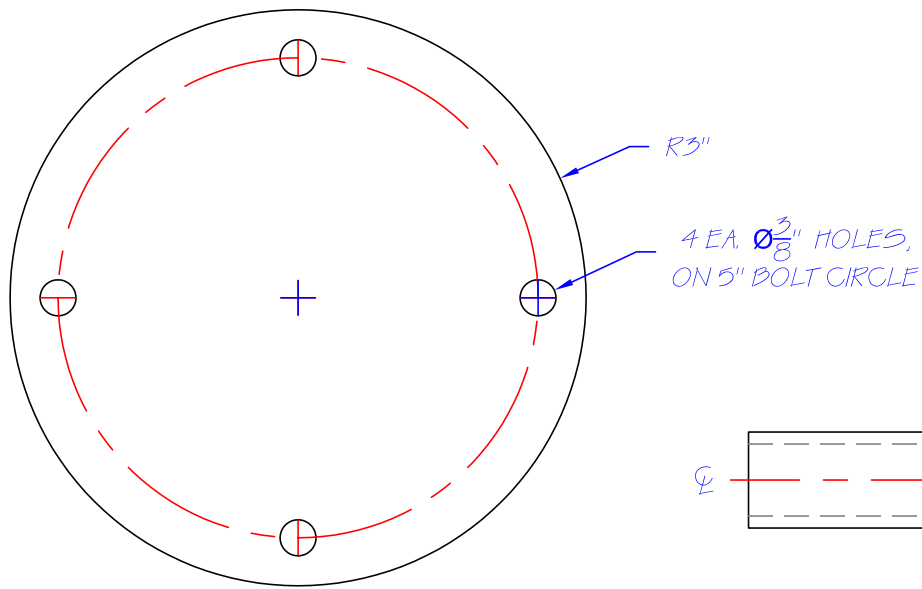


BOW VISE BILL OF MATERIALS

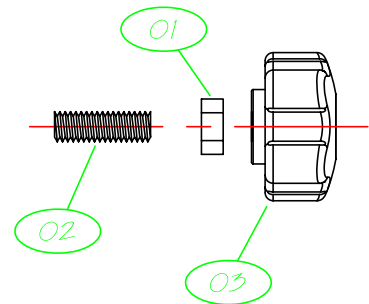
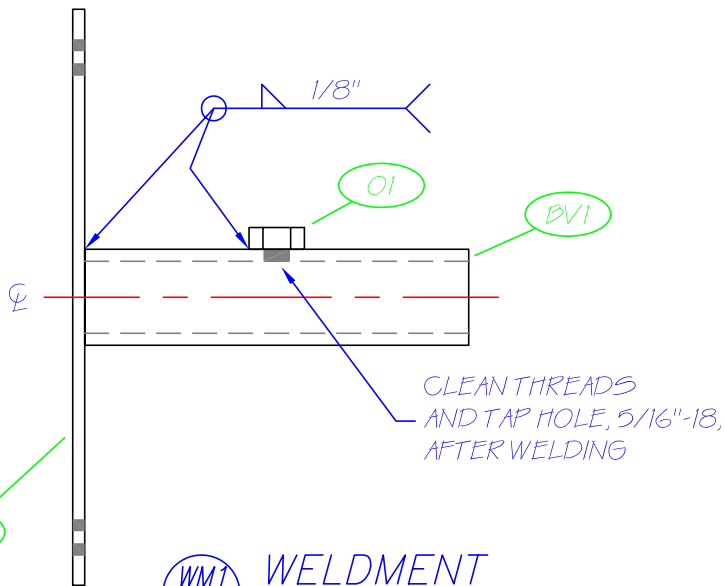
<u>PART #</u>	<u>VENDOR</u>	<u>QUANTITY</u>	<u>DESCRIPTION</u>
BV1	LOCAL SUPPLIER	1 EA.	BASE PLATE, 10 GAUGE HOT ROLLED, CUT TO SPECIFICATIONS
BV2	LOCAL SUPPLIER	1 EA.	MAIN TUBE, 1", 11 GAUGE, MILD STEEL SQUARE TUBING, 4" LONG
BV3	FASTENAL	1 EA.	ROD, 3/4" DIAMETER, MILD STEEL, 4-1/4" LONG
BV4	FASTENAL	1 EA.	ROD, 1" DIAMETER, MILD STEEL, 1-1/2" LONG
BV5	FASTENAL	1 EA.	ROD, 3/8" DIAMETER, MILD STEEL, FORMED TO SPECIFICATIONS
BV6	FASTENAL	1 EA.	ROD, HEX, 3/8", 6" LONG, FORMED TO SPECIFICATIONS
01	LOCAL SUPPLIER	3 EA.	NUT, 5/16"-18 NC
02	LOCAL SUPPLIER	2 EA.	STUD, 5/16"x18 NC, 1" LONG
03	REIDSUPPLY.COM	2 EA.	NUT, SOFT TOUCH KNOB, 5/16"-18 NC, PN RK-57
04	LOCAL SUPPLIER	2 EA.	TUBING, 3/8" I.D.





**BV1**  
X  
**DETAIL**  
BASE PLATE  
SCALE: 1" = 2"  
1 REQ'D

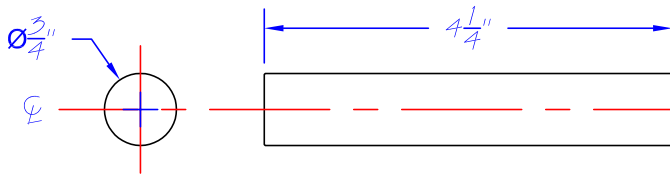
**BV2**  
X  
**DETAIL**  
MAIN TUBE  
SCALE: 1" = 2"  
1 REQ'D



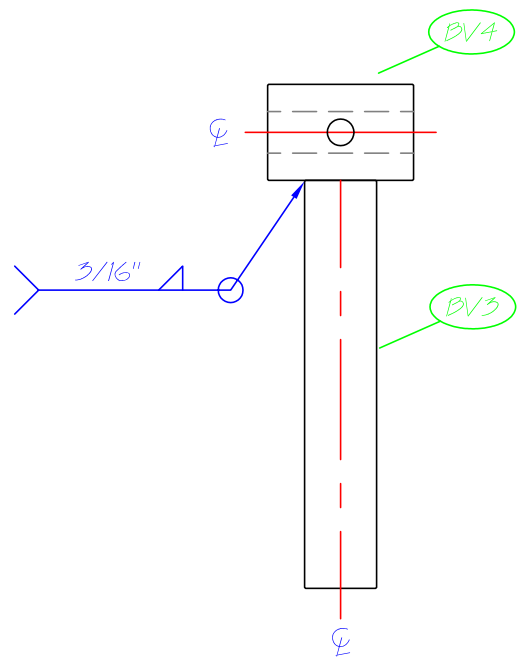
**AB1**  
X  
**ASSEMBLY**  
JAM KNOB  
SCALE: 1/2" = 1"  
2 REQ'D

**WM1**  
X  
**WELDMENT**  
BASE ASSEMBLY  
SCALE: 1" = 2"  
1 REQ'D

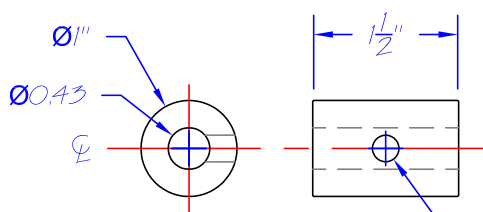




**BV3**  
X  
**DETAIL**  
PIVOT ROD  
SCALE: 1" = 2"  
1 REQ'D

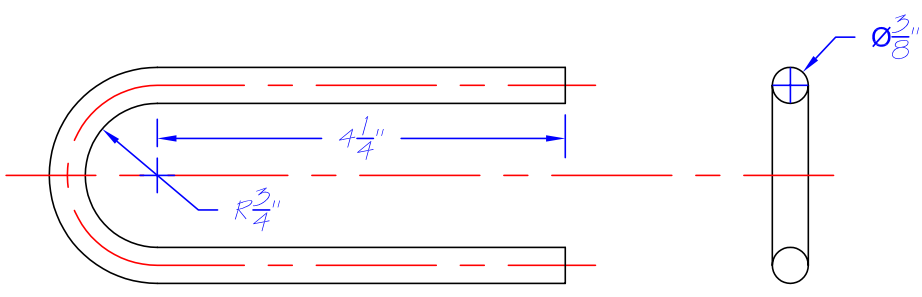


**WM2**  
X  
**WELDMENT**  
PIVOT ASSEMBLY  
SCALE: 1" = 2"  
1 REQ'D



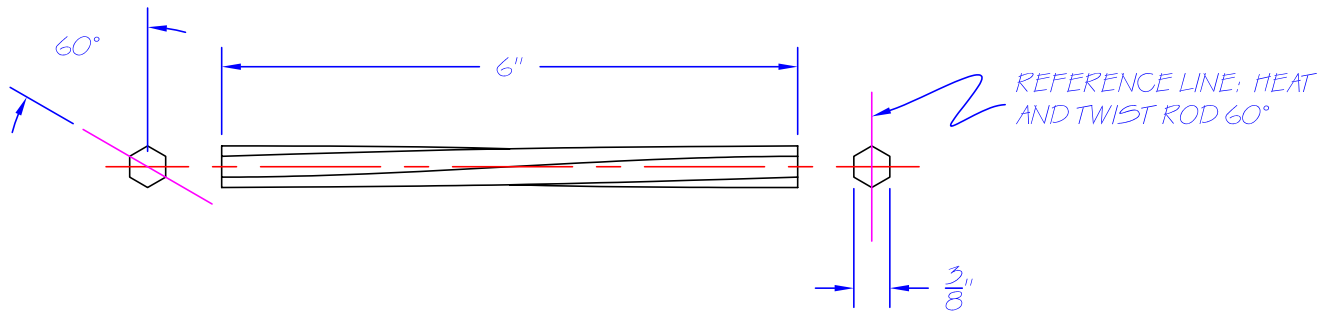
DRILL AND TAP,  
5/16-18 NC.

**BV4**  
X  
**DETAIL**  
CLAMPING ROD  
SCALE: 1" = 2"  
1 REQ'D

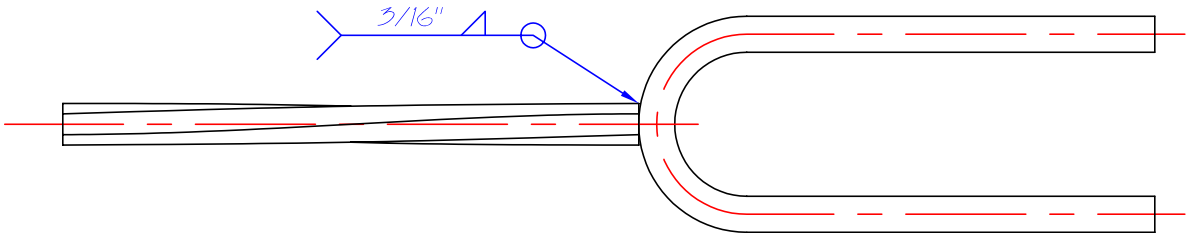


**BV5**  
X  
**DETAIL**  
LOOP #1  
SCALE: 1" = 2"  
1 REQ'D





**BV6**  
X  
**DETAIL**  
TWISTED ROD  
SCALE: 1" = 2"  
2 REQ'D



**WM3**  
X  
**WELDMENT**  
LOOP ASSEMBLY  
SCALE: 1" = 2"  
1 REQ'D



